

Robot Flanges with Clamping SXT-RF-CL

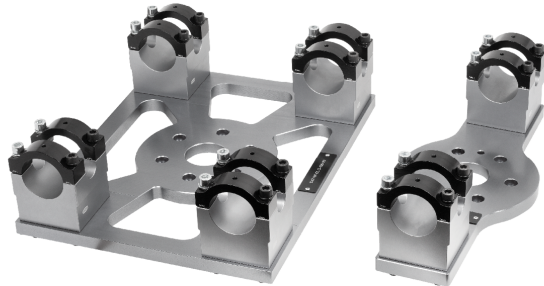
For pipe diameters of 40 and 60 mm



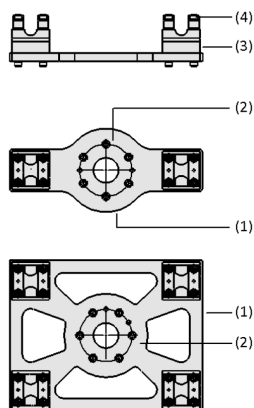
Suitability for industry specific applications

Application

- Flange connection to robot interface with pipe clamps for connecting toolings
- For highly dynamic processes with maximum output in the automotive industry in press shops and car body construction
- Can be used in existing plants thanks to simple integration with the appropriate pipe clamps



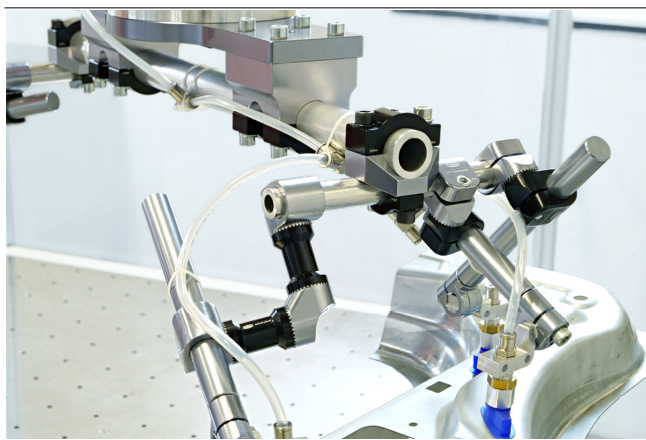
Robot Flanges with Clamping SXT-RF-CL



Design

- Flange connection to robot interface (2)
- Available in single pipe and double pipe versions (1)
- Pipe diameters of 40 and 60 mm
- Pipe clamps (3), for use as an attachable or clampable solution (4)

System design Robot Flanges with Clamping SXT-RF-CL



Robot flange with clamping SXT-RF-CL used for handling a formed sheet metal part

Product highlights

- Durable, lightweight pipe clamps optimized for highly dynamic processes with maximum output rates
- Weight-optimized, suitable for 1-pipe and 2-pipe systems
- Compatible with common tooling systems (tube diameters 25, 40 and 60 mm)
- Standardized industrial robot interface according to ISO 9409-1

Robot Flanges with Clamping SXT-RF-CL

For pipe diameters of 40 and 60 mm

Designation code Robot Flanges with Clamping SXT-RF-CL

SXT-RF-CL	-	D	-	125	-	40
1		2		3		4

1 – Abbreviated designation

Code	Type
SXT-RF-CL	Robot flange with clamping

2 – Shape

Code	Version
D	Double

3 – Flange diameter

Code	Diameter in mm
125	ø 125
160	ø 160

4 – Pipe connection

Code	Diameter in mm
40	ø 40
60	ø 60

The robot flanges with clamping SXT-RF-CL are delivered as a ready-to-connect product.

Available accessories: Pipes SXT-RT

Ordering data Robot Flanges with Clamping SXT-RF-CL

Type	Part no.
SXT-RF-CL-125-40	10.07.13.00002
SXT-RF-CL-125-60	10.07.13.00004
SXT-RF-CL-160-40	10.07.13.00003
SXT-RF-CL-160-60	10.07.13.00005
SXT-RF-CL-D-125-40	10.07.13.00006
SXT-RF-CL-D-125-60	10.07.13.00008
SXT-RF-CL-D-160-40	10.07.13.00007
SXT-RF-CL-D-160-60	10.07.13.00009

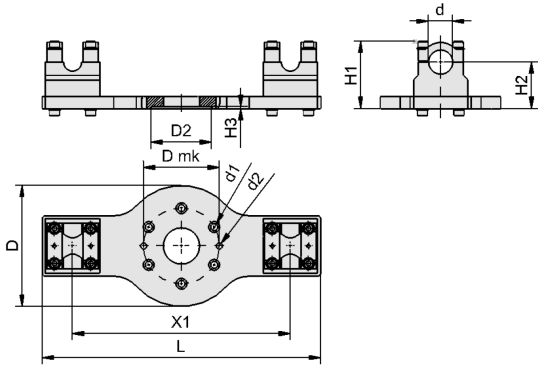
Technical data Robot Flanges with Clamping SXT-RF-CL

Type	Weight [kg]	Material
SXT-RF-CL-125-40	5.5	Aluminum
SXT-RF-CL-125-60	6.2	Aluminum
SXT-RF-CL-160-40	5.5	Aluminum
SXT-RF-CL-160-60	6.2	Aluminum
SXT-RF-CL-D-125-40	11.4	Aluminum
SXT-RF-CL-D-125-60	12.8	Aluminum
SXT-RF-CL-D-160-40	11.4	Aluminum
SXT-RF-CL-D-160-60	12.8	Aluminum

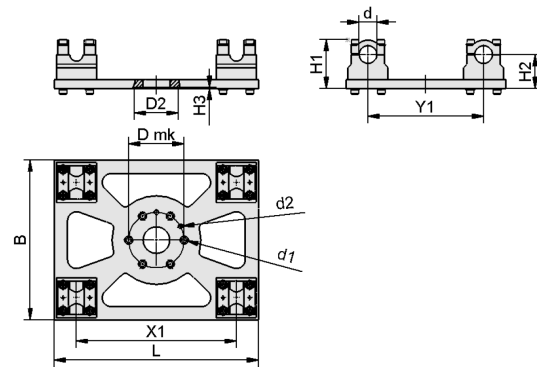
Robot Flanges with Clamping SXT-RF-CL

For pipe diameters of 40 and 60 mm

Design data Robot Flanges with Clamping SXT-RF-CL



SXT-RF-CL



SXT-RF-CL D

Robot Flanges with Clamping SXT-RF-CL

For pipe diameters of 40 and 60 mm

Design data Robot Flanges with Clamping SXT-RF-CL

Type	B [mm]	D [mm]	D2 [mm]	Dmk [mm]	d [mm]	d1 [mm]	d2 [mm]	H1 [mm]	H2 [mm]	H3 [mm]	L [mm]	X1 [mm]	Y1 [mm]
SXT-RF-CL-125-40	-	200	100	125	40	12	10	111	77	3	460	360	-
SXT-RF-CL-125-60	-	200	100	125	60	12	10	135	93	3	460	360	-
SXT-RF-CL-160-40	-	200	100	160	40	12	10	111	77	3	460	360	-
SXT-RF-CL-160-60	-	200	100	160	60	12	10	135	93	3	460	360	-
SXT-RF-CL-D-125-40	360	-	100	125	40	12	10	111	77	3	460	360	260
SXT-RF-CL-D-125-60	360	-	100	125	60	12	10	135	93	3	460	360	260
SXT-RF-CL-D-160-40	360	-	100	160	40	12	10	111	77	3	460	360	260
SXT-RF-CL-D-160-60	360	-	100	160	60	12	10	135	93	3	460	360	260

Multimedia product presentation

Medium

Product video

Link

<https://vimeo.com/408410930>